

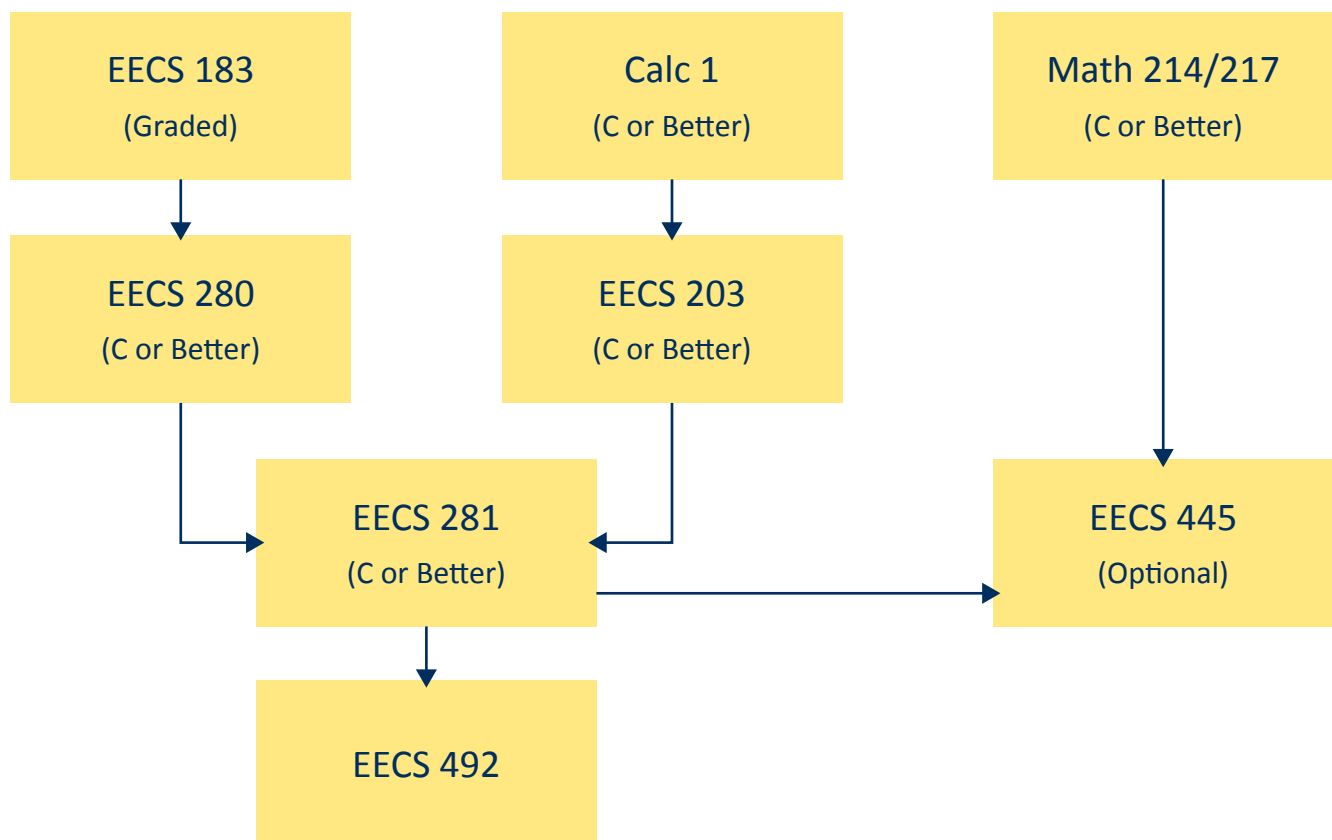
COGSCI COURSE ENROLLMENT GUIDE

COGSCI, LING, PHIL, PPE, and PSYCH

- Seats are held for CogSci majors in these subjects if the class usually fills quickly
- Cognitive Science students receive priority on waitlists in these subjects
- COGSCI 497, 498, and 499 – Students need to submit either an independent study or an honors application to receive an override for these courses (see CogSci website)

EECS

- Strict enforcement of prerequisites (including grade requirements); see chart below



- EECS 492 – The EECS Department manages enrollment for this course. CogSci students (who are not double majoring with Computer Science) registering for their final or second-to-last semester should email Weinberg-Institute@umich.edu with the following information in order to receive an override:
 - Name & UMID #
 - Uniquename
 - First choice of EECS 492 section & Second choice of EECS 492 section
- EECS 442 & 445 – These courses are only available for **CogSci students who are double majoring with Computer Science.**

ROSS COURSES

- MKT 313, MO 410 and all other Ross classes – Ross students are given first priority to enroll. Seats will be released to non-Ross students approximately 2-3 weeks after enrollment for the term begins. Priority is given to juniors and seniors.

SCHOOL OF INFORMATION COURSES (SI)

- SI 106 & 110: These courses do not have enforced prerequisites or class associated requirements. You may register directly for your preferred section or its waitlist in Wolverine Access.
- SI Courses with Shadow Sections (SI 422) (1XX): If you have completed the prerequisites for a course listed above, you can register directly within Wolverine Access for the class or waitlist using the 1XX section. To find these shadow sections, you may need to uncheck the “Show Open Classes Only” box if you are searching for classes on the Class Search/Browse Catalog page in Wolverine Access.
- All other UMSI Courses: Complete the [UMSI Waitlist Procedures](#)
- For additional support, contact umsi.registrar@umich.edu

Questions or other issues? Please
email Weinberg-Institute@umich.edu

