

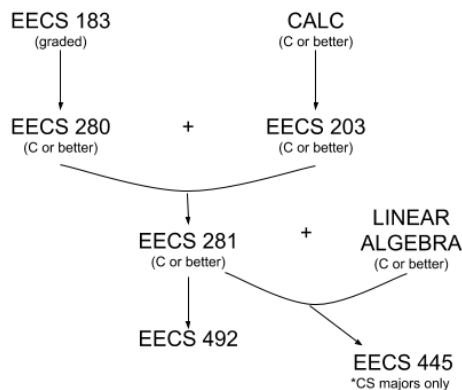
## COGSCI COURSE ENROLLMENT GUIDE

### COGSCI, LING, PHIL, PPE, and PSYCH

- Seats are held for CogSci majors in these subjects if the class usually fills quickly
- Cognitive Science students receive priority on waitlists in these subjects
- COGSCI 497, 498, and 499 – Students need to submit either an independent study or an honors application to receive an override for these courses (see CogSci website)

### EECS

- Strict enforcement of prerequisites (including grade requirements); see chart below



- EECS 492 – The EECS Department manages enrollment for this course. CogSci students (**who are not double majoring with Computer Science**) registering for their final or second-to-last semester should email [Weinberg-Institute@umich.edu](mailto:Weinberg-Institute@umich.edu) with the following information in order to receive an override:
  - Name
  - UMID #
  - Uniqname
  - First choice of EECS 492 section
  - Second choice of EECS 492 section
- EECS 442 & 445 – These courses are only available for **CogSci students who are double majoring with Computer Science**

### ROSS COURSES

- MKT 313, MO 410 and all other Ross classes – [Ross students are given first priority to enroll](#). Seats will be released to non-Ross students approximately 2-3 weeks after enrollment for the term begins. Priority is given to juniors and seniors.

### School of Information Courses (SI)

- SI 388 & SI 561 – Complete the form that is linked on [this page](#) under “Non-UMSI Students Interested in Undergraduate- or Graduate-Level UMSI Classes:” (number 3).
- SI 422 – Sign up for the section 1XX waitlist. For more details please view [this page](#).

Questions or other issues? Please email [Weinberg-Institute@umich.edu](mailto:Weinberg-Institute@umich.edu).